

THIS DRAWING IS UNPUBLISHED. RELEASED FOR PUBLICATION
 © COPYRIGHT 2006 BY TYCO ELECTRONICS CORPORATION. ALL RIGHTS RESERVED.

LOC	DIST	REVISIONS			
P	LTR	DESCRIPTION	DATE	DWN	APVD
GP	00	0	RELEASED PER EC 0513-0221-05	31AUG05	RR JG

.350 DIA MAX
CABLE OPENING

INTERNAL CABLE
TIE OPENINGS.

1.115 REF

1.312

TWO PIECE CABLE
SUPPORT HOUSING
MATERIAL:
THERMOPLASTIC, GRAY

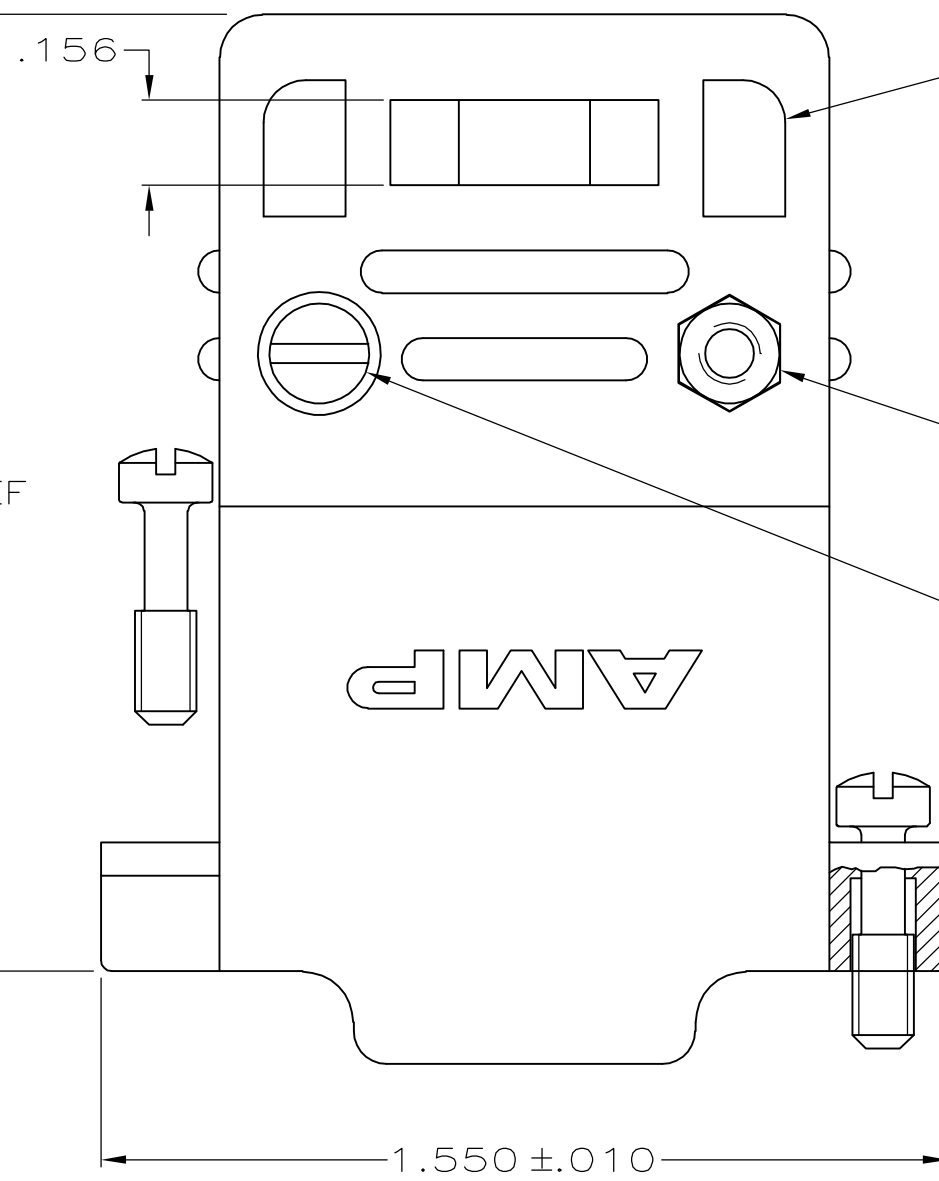
.826 ±.015

#4-40 CRS SCREW,
ZINC PLATED, 2 REQD
YELLOW CHROMATE COATED

.500 ±.010

.620 REF

1.750 REF



EXTERNAL CABLE
TIE OPENINGS.

#4-40 HEX NUT STEEL
ZINC PLATED, 2 REQD
CLEAR CHROMATE COATED

#4-40 CRS SCREW,
ZINC PLATED, 2 REQD
CLEAR CHROMATE COATING

AMP

1.550 ±.010

5206471-1

PART
NUMBER

1. THIS PART WILL FIT ANY STANDARD SIZE 2 PLUG OR
RECEPTACLE IN THE AMPLIMITE SERIES.

2. ALL PARTS ARE PACKAGED UNASSEMBLED.

THIS DRAWING IS A CONTROLLED DOCUMENT.		DWN R.RICHARDSON 31AUG05	Tyco Electronics Corporation	
DIMENSIONS: INCHES		CHK C.ROHDE 31AUG05	Harrisburg, PA 17105-3608	
TOLERANCES UNLESS OTHERWISE SPECIFIED:		APVD M.WALMSLEY 31AUG05	NAME	
0 PLC ± -		PRODUCT SPEC	CABLE CLAMP ASSEMBLY, SIZE 2, 15 POSITION, AMPLIMITE HD-20	
1 PLC ± -		APPLICATION SPEC	SIZE A2	CAGE CODE 00779
2 PLC ± -		WEIGHT -	DRAWING NO C=5206471	RESTRICTED TO -
3 PLC ± .005		CUSTOMER DRAWING	SCALE 4:1	SHEET 1 of 1
4 PLC ± -			REV 0	
ANGLES ± -				
MATERIAL SEE CALLOUTS		FINISH SEE CALLOUTS		